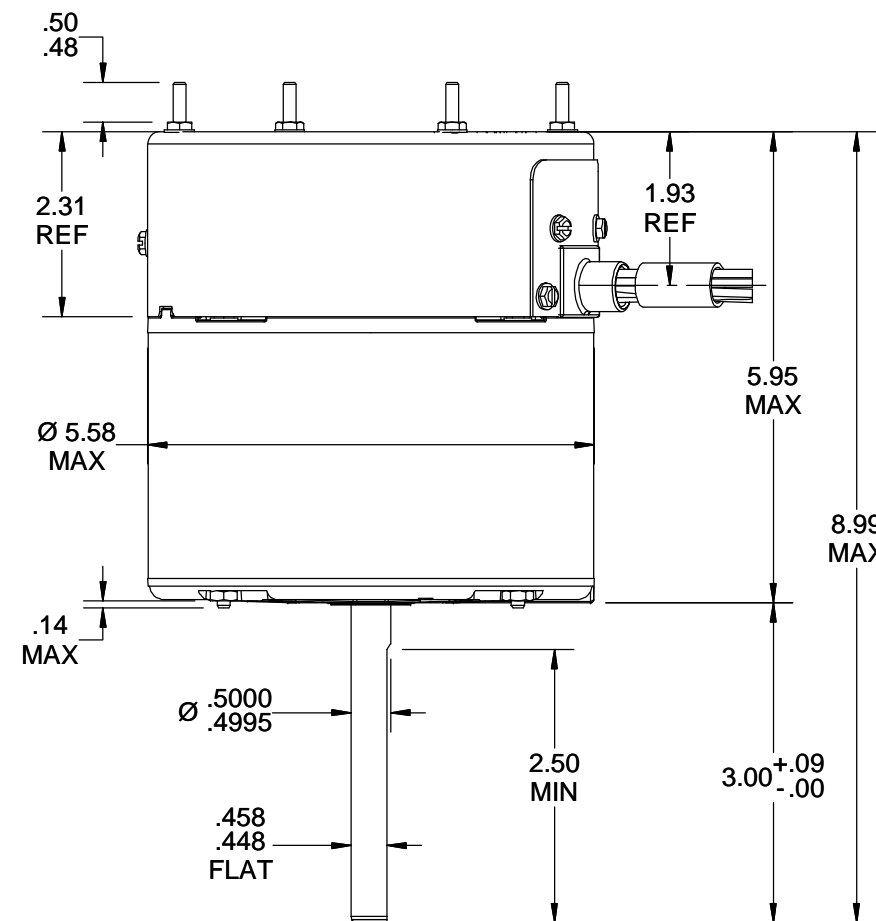


COLOR	TERMINAL	CUSTOMER CONNECTION	CUSTOMER LEAD LENGTH	OPTION-1	OPTION-2
BLACK	0.25 M/F	L1	54"	208-230 VAC	208-230 VAC
WHITE	0.25 FE ISQC	L2	54"	208-230 VAC	208-230 VAC
GRN / YEL	#10 EYELET	GROUND	54"	GND	GND
ORANGE	0.25 FE ISQC	SIGNAL	54"	208-230 VAC	
YELLOW	0.25 FE ISQC	SIGNAL	54"		208-230 VAC
				RPM	850 1100
				ROTATION	CCW CCW
				ECM TOOL BOX ID	SPEED 1 SPEED 2

NAMEPLATE DATA	
MODEL	5SME39HLHE611
CUSTOMER	DEF PUR
CPN/STOCK NO	STOCK NO 6303
HP	1/3
RPM	850/1100
VOLTS	208-230
HZ	60/50
AMPS	3.5
ROTATION	CCW/CCW
MTG. POSITION	VSD
APP.MTWT.	12 lbs
NP LABEL	WHITE COLOR



Reversible lead connections

- 1) Yellow from Motor to Connector (Old Red Wire)
- 2) Purple from Connector to ECM 3 pin plug
- 3) Orange from Motor to Connector (Old Black Wire)
- 4) Brown from Connector to ECM 3 pin plug

DRAWING REVISION K	REVISION BY KEP	DATE 12/26/2017
ECO ECO-0129397	APPROVED BY ANDREA	DATE 12/26/2017
ECO DESCRIPTION UPDATED RPM VALUE PER ECO-0129397		
<small>COPYRIGHT REGAL BELOIT AMERICA, INC. ALL RIGHTS RESERVED. PROPRIETARY AND CONFIDENTIAL INFORMATION - THIS DOCUMENT IS THE PROPERTY OF REGAL BELOIT AMERICA, INC. ("OWNER") AND CONTAINS OWNER'S PROPRIETARY INFORMATION. ANY PERSON, CORPORATION OR OTHER FIRM RECEIVING IT IS DEEMED, BY RECEIVING IT, TO AGREE THAT IT, AND/OR ANY PART OF IT, SHALL NOT BE DISCLOSED TO ANY PERSON, CORPORATION OR OTHER ENTITY, DUPLICATED, AND/OR USED, EXCEPT AS EXPRESSLY APPROVED IN WRITING IN ADVANCE BY OWNER. THIS DOCUMENT SHALL BE RETURNED TO OWNER UPON REQUEST. IT MAY BE SUBJECT TO CERTAIN RESTRICTIONS UNDER APPLICABLE EXPORT CONTROL LAWS AND REGULATIONS.</small>		

TOLERANCES UNLESS OTHERWISE SPECIFIED:		
DEC.	INCH	mm
.X	±0.1	[±2.5]
.XX	±0.03	[±0.76]
.XXX	±0.005	[±0.127]
.XXXX	±0.0005	[±0.0127]
REMOVE BURRS & BREAK SHARP EDGES: .003/.015 [.076/.381] X 45° CORNER FILLETS: R.02 [.51] MACHINED SURFACES: 125 INCH/mm 3.2		
mm SHOWN IN [BRACKETS]		

DRAWN BY SVK	DATE 08/01/2012
APPROVED BY MVN	DATE 08/01/2012
REFERENCE	
THIRD ANGLE PROJECTION	

REGAL ™ Regal Beloit America, Inc.	
DESCRIPTION	OUTLINE
EVERGREEN OM - 142R - REVERSIBLE LEADS	
MATERIAL	PROCESS/FINISH
SIZE B	DRAWING NUMBER 5SME39HLHE611
SHEET 1 OF 1	