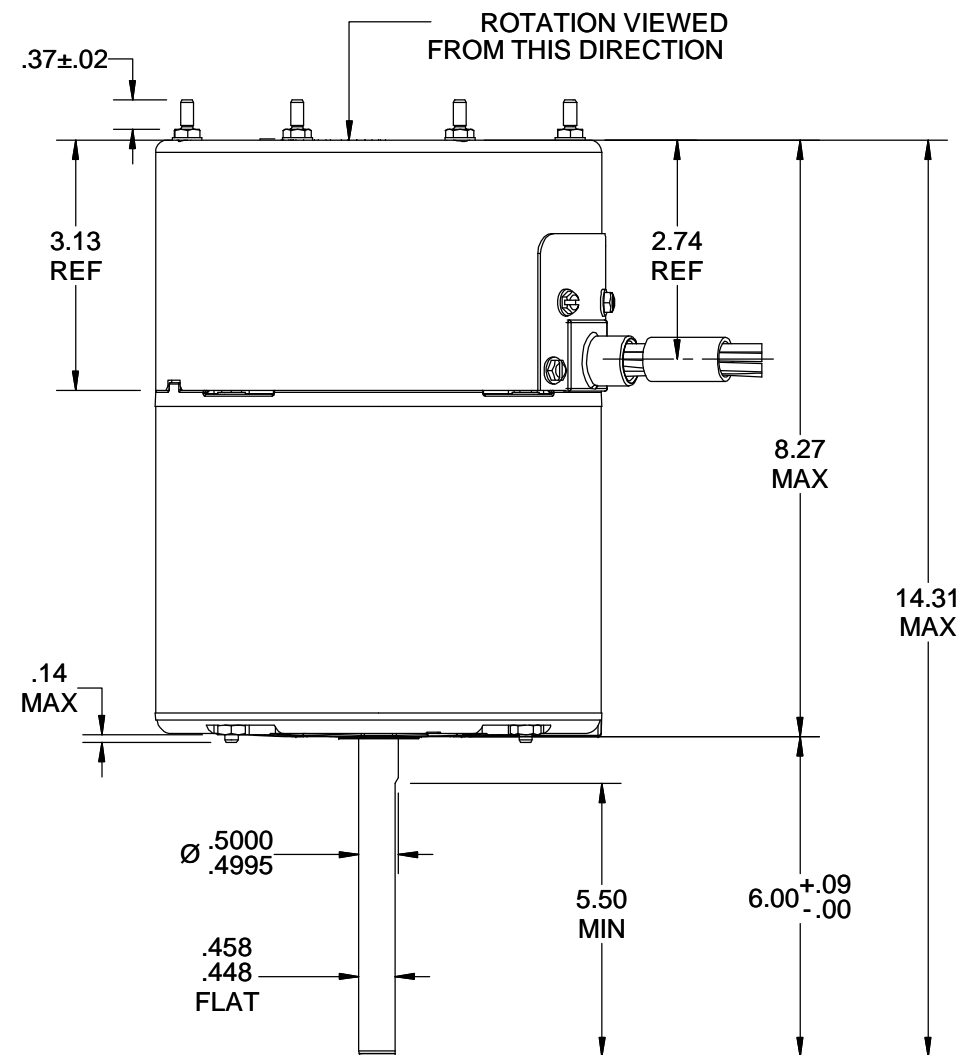
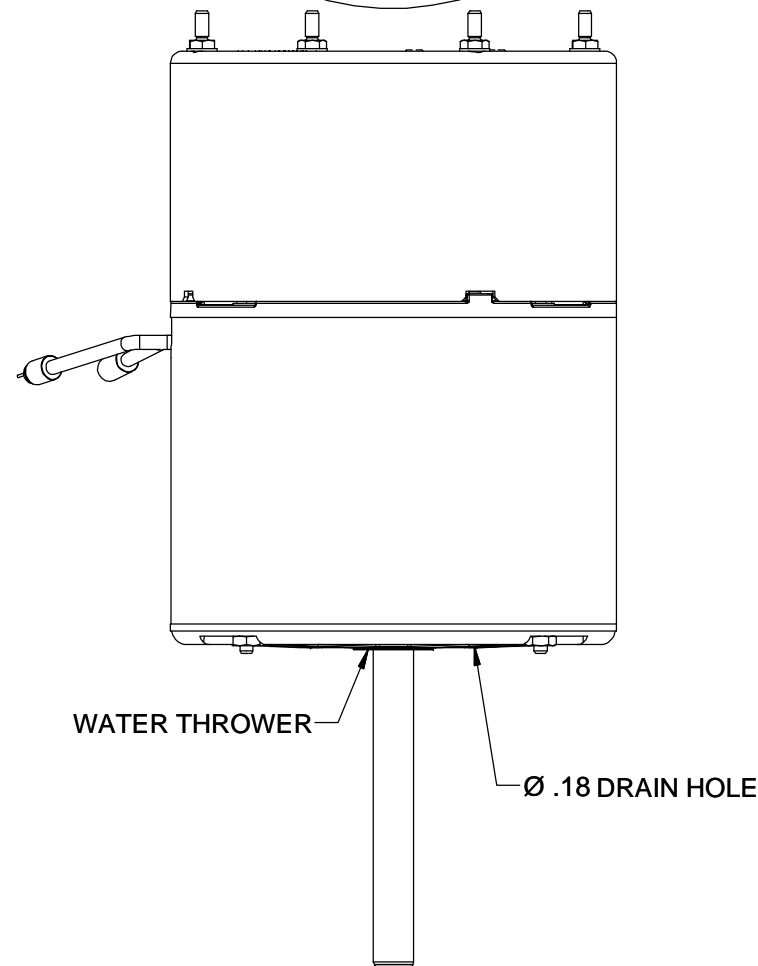


COLOR	TERMINAL	PIN #	CUSTOMER LEAD LENGTH	CUSTOMER CONNECTION	OPTION - 1	OPTION-2
BLACK	0.5" BWS	1	54"	L1	460 VAC	460 VAC
RED	0.5" BWS	3	54"	L2	460 VAC	460 VAC
GREEN/YELLOW	.25 EYELET (.265 DIA HOLE)	2	54"	GROUND	GND	GND
BLUE	0.5" BWS	5	54"	COMMON	24 VAC	24 VAC
ORANGE	0.5" BWS	4	54"	SIGNAL	-	24 VAC
YELLOW	0.5" BWS	6	54"	SIGNAL	24 VAC	-
					RPM	1100 850
					ROTATION	CCW CCW
					ECM TOOLBOX ID	SPEED 1 SPEED 2

NAMEPLATE DATA	
MODEL	5SME39SLHE574
CUSTOMER	DEF PUR
CPN/STOCK #	STOCK NO 6907
HP	3/4
RPM	1100/850
VOLTS	460
HZ	60/50
AMPS	3.1
ROTATION	CCW/CW
MTG. POSITION	HOR
APP.MTWT.	20 lbs
NP LABEL	WHITE COLOR



Reversible lead connections

- 1) Yellow from Motor to Connector (Old Red Wire)
- 2) Purple from Connector to ECM 3 pin plug
- 3) Orange from Motor to Connector (Old Black Wire)
- 4) Brown from Connector to ECM 3 pin plug

DRAWING REVISION F	REVISION BY KEP	DATE 01/04/2018
ECO ECO-0129397	APPROVED BY ANDREA	DATE 01/04/2018
ECO DESCRIPTION UPDATED PER ECO REQUEST		
<small>COPYRIGHT REGAL BELOIT AMERICA, INC. ALL RIGHTS RESERVED. PROPRIETARY AND CONFIDENTIAL INFORMATION - THIS DOCUMENT IS THE PROPERTY OF REGAL BELOIT AMERICA, INC. ("OWNER") AND CONTAINS OWNER'S PROPRIETARY INFORMATION. ANY PERSON, CORPORATION OR OTHER FIRM RECEIVING IT IS DEEMED, BY RECEIVING IT, TO AGREE THAT IT, AND/OR ANY PART OF IT, SHALL NOT BE DISCLOSED TO ANY PERSON, CORPORATION OR OTHER ENTITY, DUPLICATED, AND/OR USED, EXCEPT AS EXPRESSLY APPROVED IN WRITING IN ADVANCE BY OWNER. THIS DOCUMENT SHALL BE RETURNED TO OWNER UPON REQUEST. IT MAY BE SUBJECT TO CERTAIN RESTRICTIONS UNDER APPLICABLE EXPORT CONTROL LAWS AND REGULATIONS.</small>		

DRAWN BY SBD	Regal Beloit America, Inc.
DATE 11/11/2013	
APPROVED BY SBD	DESCRIPTION OUTLINE ECM 142R 460V -REVERSIBLE LEADS
DATE 11/11/2013	MATERIAL
REFERENCE	PROCESS/FINISH
THIRD ANGLE PROJECTION	SIZE B
	DRAWING NUMBER 5SME39SLHE574
	SHEET 1 OF 1